

- Rugged cast construction
- Available in stainless steel AISI 316, cast iron and aluminium
- Sealed and permanently lubricated outboard bearings
- Easily demountable design
- Change on the fly with most powders
- One-piece body with removable end plates and rotating blade assembly
- Pneumatic or manual operation
- Flanges drilled according to PN 10 or ANSI 150 lbs
- Versions conforming to ATEX 94/9/EC available



## GPD gravity plug diverter

The new DMN-WESTINGHOUSE GPD is a two-way, demountable gravity diverter valve and is ideal for system installations that require frequent cleaning with minimum downtime. Design allows fast disassembly in installed location and easy access to all product-contact surfaces. Material flow through the valve is unrestricted with no ledges or dead spots. The valves are manufactured in a range of finish options, including sanitary specification.

The GPD diverts gravity fed material to either of two lines by a rotating blade that swings through 120° to fully close off the unused port. This is done with extremely close, machined tolerances between rotating blade and body.

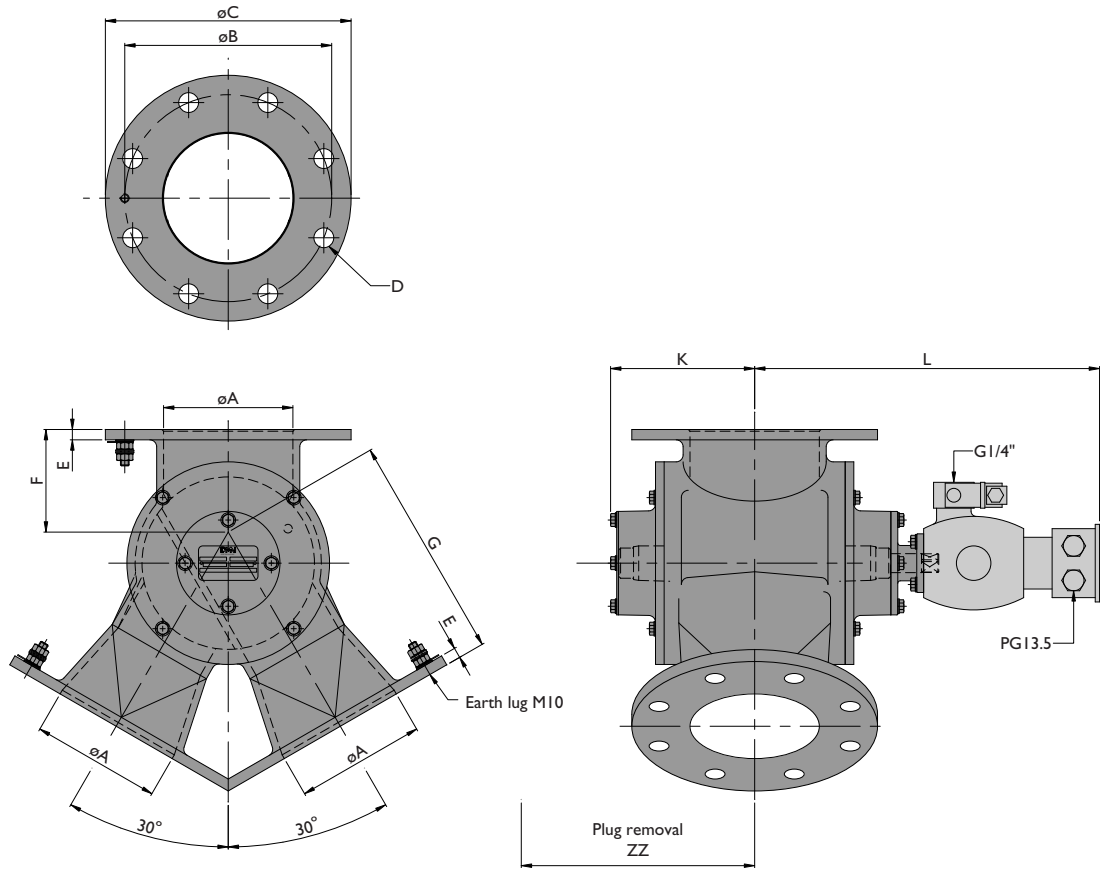
The GPD is available in 4 sizes: 150, 200, 250 and 300.

## Product information

The GPD diverter is available with a cast iron, aluminium or stainless steel AISI 316 housing, in which a stainless steel AISI 316 plug is installed. The diverters are manufactured from a rugged cast design, which guarantees stability and a problem free operation.

Comparable fabricated gravity flap diverters normally have a polyurethane flap clamped between two metal plates to provide the seal. The disadvantage of this construction is that seal material can break off and cause leakage, as well as contaminating the product. There is also a risk that nuts and bolts could become undone and also contaminate the product as well as damaging equipment down stream. The GPD however has a rotor manufactured as a one piece fabrication, therefore eliminating these risks.

The GPD can be used for product temperatures ranging from -10 °C up to +80 °C. Options for higher temperatures are available on request.



| TYPE GPD | DIN |     |        |     | ANSI  |          |    |     | E   | F   | G   | K   | L | ZZ |
|----------|-----|-----|--------|-----|-------|----------|----|-----|-----|-----|-----|-----|---|----|
|          | ØA  | ØB  | D      | ØC  | ØB    | D        |    |     |     |     |     |     |   |    |
| 150      | 150 | 240 | 8xØ23  | 285 | 241,3 | 8xØ22,2  | 12 | 119 | 260 | 170 | 400 | 485 |   |    |
| 200      | 200 | 295 | 8xØ23  | 343 | 298,4 | 8xØ22,2  | 15 | 139 | 310 | 195 | 425 | 560 |   |    |
| 250      | 250 | 350 | 12xØ23 | 406 | 361,9 | 12xØ25,4 | 15 | 155 | 375 | 220 | 480 | 645 |   |    |
| 300      | 300 | 400 | 12xØ23 | 483 | 431,8 | 12xØ25,4 | 15 | 165 | 450 | 245 | 505 | 720 |   |    |

DMN-WESTINGHOUSE have been designing and manufacturing rotary valves, diverter valves and other related components for the bulk solids handling industry for more than 30 years. Offering tailor made solutions for chemical, food, plastics and pharmaceutical industries, DMN-WESTINGHOUSE products are distributed worldwide.

Besides an extensive range of standard components, we supply USDA accredited sanitary versions and ATEX approved explosion-proof models.

An extensive network of subsidiaries, distributors and representatives ensures a high level of service and support all over the world.

© DMN - HOLLAND - 04/05

**Head Office:**  
**DMN Machinefabriek Noordwykerhout BV**  
 PO Box 6, NL - 2210 AA Noordwijkerhout, Holland  
 Tel. +31 252 361 800  
 Fax +31 252 375 972/934  
 dmn@dmn-nw.nl

**DMN Incorporated**  
 3895 South Perkins Road, Suite 8  
 Memphis, TN 38118, USA  
 Tel. +1 901 360 1537  
 Fax +1 901 360 0348  
 dmnfo@dmn-inc.com

**DMN Schüttguttechnik GmbH**  
 Rütgersstrasse 8  
 D-21244 Buchholz i.d. Ndh, Germany  
 Tel. +49 4181 931 40  
 Fax +49 4181 931 490  
 dmn@dmn-schuettingtechnik.de

**DMN UK Ltd**  
 Unit 1&2, Harris Road,  
 Porte Marsh Industrial Estate  
 Calne, Wiltshire, SN 11 9PT, UK  
 Tel. +44 1249 818 400  
 Fax +44 1249 818 410  
 dmn@dmnuk.com

**DMN France SAS.**  
 65, rue Charles de Gaulle  
 91330 Yerres, France  
 Tel: +33 1 69 49 85 70  
 Fax: +33 1 69 49 85 79  
 dmnfrance@wanadoo.fr



[www.dmn.info](http://www.dmn.info)