

# BTD

- For abrasive products
- Suitable for systems with high pressures and temperatures
- Body made from ductile spheroidal cast iron
- Replaceable wear bushings on outlet
- Grease lubricated shaft seals
- Seals can be replaced with the valve in place
- Versions conforming to ATEX 94/9/EC available

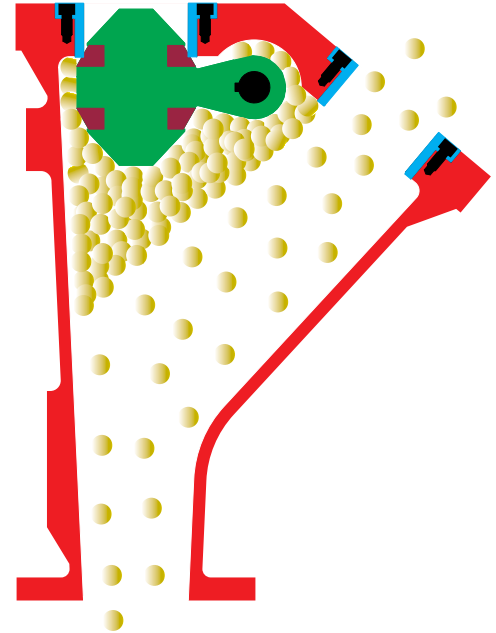


## BTD Ball type diverter

The DMN-WESTINGHOUSE ball type diverter (BTD) has been specifically designed to converge or diverge abrasive products in pneumatic conveying systems. The diverter is also suitable for systems having relatively high pressures and temperatures, e.g. thermoelectric power stations (coal and fuel oil ash), incinerators, foundries and cement, glass, ceramic, limestone, gypsum and chemical factories.

The diverter can be used for both diverting and converging. When diverting the product itself provides the wear surface (most common application). When converging the impact area of the product on the diverter has been considerably strengthened (see dimensional drawing).

The BTD is made from ductile spheroidal cast iron and is available in 7 sizes in the ranges 65 - 250.



## Product information

The design of the diverter ensures that the higher the positive pressure, the tighter the seal. This is the result of the ball and seal being pushed firmly into its seating. The seals can be replaced with the valve in place by removing the two side covers.

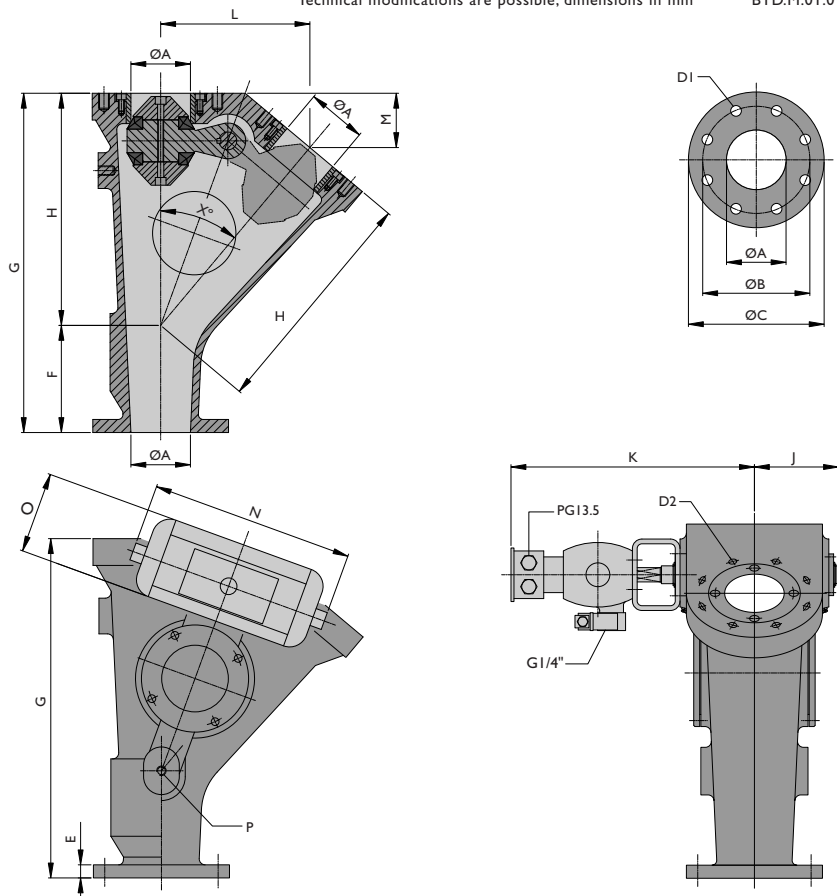
The valve is operated by using a double acting pneumatic actuator with a 5/2 double acting solenoid and position confirmation switch.

The BTD diverter can be used in systems with positive pressures up to 6 bar g and negative pressures up to -0.5 bar g. The standard configuration can be used for temperatures from -10 up to +150 °C.

# BTD

Technical modifications are possible, dimensions in mm

BTD.M.01.01.B



Flange connection: PN 10 or ANSI 150 lbs

\* 8 holes for PN 10  
4 holes for ANSI 150 lbs

TYPE BTD	PN 10				ANSI 150 LBS				E	F
	ØA	ØB	ØD1	ØC	ØB	ØD1	ØD2			
65	65	145	4x Ø18	185	139,7	4x Ø19	4x M16x25	18	95	
80	80	160	8x Ø18	200	152,4	4x Ø19	*x M16x25	20	140	
100	100	180	8x Ø18	228,6	190,5	8x Ø19	8x M16x25	22	180	
125	125	210	8x Ø18	255	215,9	8x Ø22,2	8x M16x35	24	225	
150	150	240	8x Ø22	285	241,3	8x Ø22,2	8x M20x35	24	240	
200	200	295	8x Ø22	340	298,4	8x Ø22,2	8x M20x35	25	160	
250	250	350	12x Ø22	407	361,9	12x Ø25,4	12x M20x35	30	170	

TYPE BTD	G	H	J	K	L	M	N	O	P	X°	WEIGHT
65	550	455	130	395	228	61	310	105	M16x20	30°	68 kg
80	500	360	135	400	232	84	310	105	M16x20	40°	77 kg
100	570	390	145	425	250	91	380	120	M16x25	40°	100 kg
125	700	475	165	470	305	111	450	140	M20x25	40°	155 kg
150	780	540	175	480	347	126	450	140	M20x20	40°	208 kg
200	810	650	200	515	418	152	520	150	M20x25	40°	300 kg
250	850	680	260	630	437	159	640	170	M20x30	40°	450 kg

DMN-WESTINGHOUSE have been designing and manufacturing rotary valves, diverter valves and other related components for the bulk solids handling industry for more than 30 years. Offering tailor made solutions for chemical, food, plastics and pharmaceutical industries, DMN-WESTINGHOUSE products are distributed worldwide.

Besides an extensive range of standard components, we supply USDA accredited sanitary versions and ATEX approved explosion-proof models.

An extensive network of subsidiaries, distributors and representatives ensures a high level of service and support all over the world.

**Head Office:**

**DMN Machinefabriek Noordwykerhout BV**  
PO Box 6, NL - 2210 AA Noordwykerhout, Holland  
Tel. +31 252 361 800  
Fax +31 252 375 972/934  
dmn@dmn-nwh.nl

**DMN Incorporated**  
3895 South Perkins Road, Suite 8  
Memphis, TN 38118, USA  
Tel. +1 901 360 1537  
Fax +1 901 360 0348  
dmninfo@dmn-inc.com

**DMN Schüttguttechnik GmbH**  
Rütgersstrasse 8  
D-21244 Buchholz i.d. Ndh, Germany  
Tel. +49 4181 931 40  
Fax +49 4181 931 490  
dmn@dmn-schuettingtechnik.de

**DMN UK Ltd**  
Unit 1&2, Harris Road,  
Porte Marsh Industrial Estate  
Calne, Wiltshire, SN 11 9PT, UK  
Tel. +44 1249 818 400  
Fax +44 1249 818 410  
dmn@dmnuk.com

**DMN France SAS**  
65, rue Charles de Gaulle  
91330 Yerres, France  
Tel: +33 1 69 49 85 70  
Fax: +33 1 69 49 85 79  
dmnfrance@wanadoo.fr

© DMN - HOLLAND - 04/05



[www.dmn.info](http://www.dmn.info)

